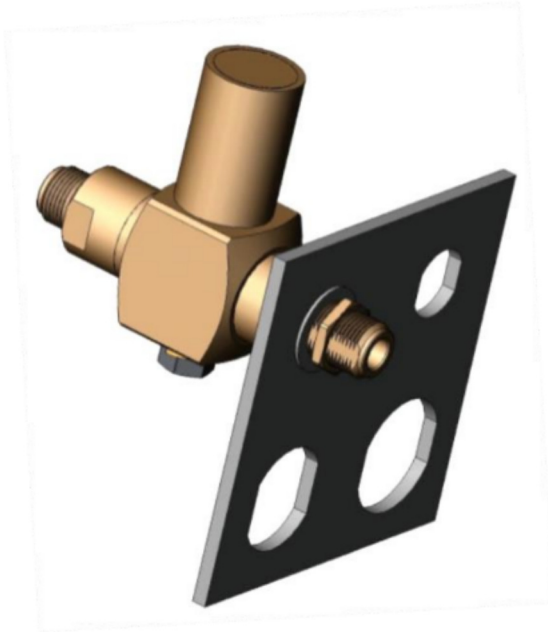
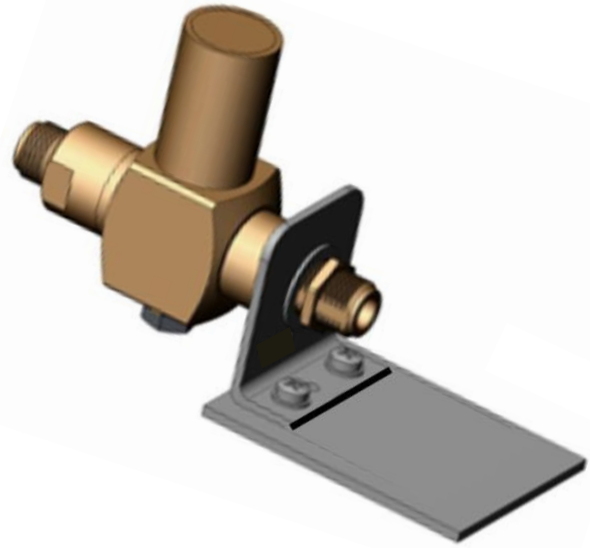


LP-STRH-43-10 Series Lightning Protector Installation Instructions



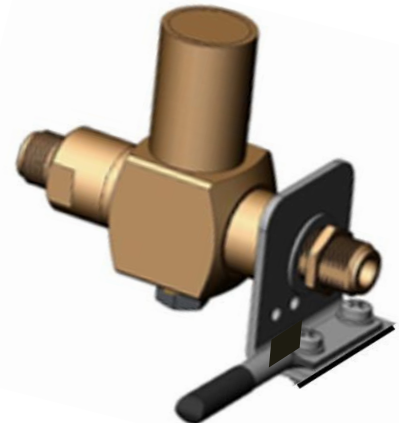
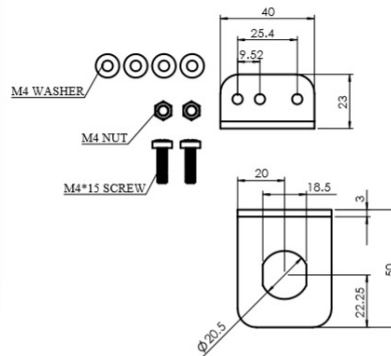
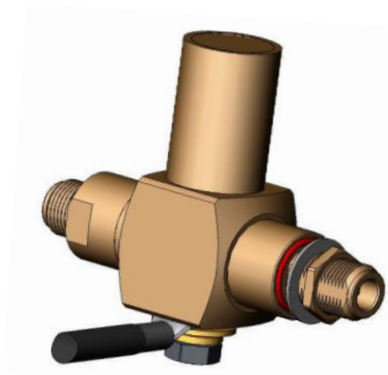
Preferred grounded bulkhead mount

Insert protector elongated connector in “double D” hole as shown. Apply nut torque to specifications below....



Alternate Bracket Mount (supplied)

Drill (2) 4.8mm (0.1875”) holes in ground plate using the bracket as template. Attach bracket to ground plate with (2) M4x15mm bolts, flat washers under bolt heads, and star-washers under nuts (supplied). Insert protector elongated connector in “double D” hole as shown. **Recommended connector nut torque is 90 in-lbs (10 N-m)**



Alternate single hole ground lug to ground bar, trapeze mount, or shelf

Remove attached M8x10mm screw and hardware from bottom of protector.

Use any of grounding methods below.

- (1) Attach single hole ground conductor lug as shown using provided hardware.
- (2) Use included bracket with 2 hole lug as shown using (2) M4x15mm bolts, and star-washers under nuts.
- (3) Bond the protector to directly to ground bar, trapeze mount or shelf through a 9.525mm (0.375”) hole. using provided hardware. **Tighten bolt to 44 in-lbs (5N-m) maximum torque.** *Note: Ground plane thickness must not be greater than 3.175mm (0.125”) for use with provided hardware.* Use longer screw if required.

Installation notes and recommendations

- The LP-STRH-43-10 series is a unidirectional design with “surge” and “protected” sides marked on the device body. Position “surge” side toward anticipated surge source and “protected” side toward protected equipment. Although the protector will pass rf in both directions, only the surge side can reliably conduct multiple high current lightning strikes to ground.
- The LP-STRH-43-10 body is weather resistant to IP67 Standards
- The protector must be connected to ground using the “preferred” or “alternate” method, or through a large, low inductance/impedance conductor with minimum bends. The level of protection with *any* protector is most influenced by the quality of the attached earth ground system.
- The protector should show no continuity from connector center pin to center pin, and no continuity from center pin protected side to shield. There will be continuity from center pin surge side to the shield.

Warranty (LP- STRH-43-10 series)

Times Microwave Systems (the seller) warrants to the original purchaser its surge and lightning protection products used in commercial communications applications to be free from defects in material or workmanship which arise from proper and normal use and service for ten (10) years. In the event that the purchaser becomes aware of a defect within this period of time, the seller will, at its options, repair or provide to the purchaser new material in exchange for the defective material. In order to receive any remedy under this warranty, the purchaser must notify Times Microwave Systems of the defect and receive a return authorization. The entire liability of the seller shall be limited to the repair or provision of new material in exchange for the defective product. Seller shall not be liable for any consequential or incidental damages, cost of removal and re-installation of the product or any other costs incurred by the purchaser as a result of the defect. In no case shall the liability of the seller exceed the sales price of the surge and lightning protection products found to be defective. The above constitutes the entire warranty provided by Times Microwave Systems. There are no other warranties provided, expressed or implied.

Times Microwave Systems

358 Hall Avenue, Wallingford, CT 06492 • 203-949-8400, (800) 867-2629 Fax: 203-949 8423
International Sales: 4 School Brae, Dysart, Kirkcaldy, Fife, Scotland KY1 2XB UK • Tel: +44 (0) 1592655428
China Sales: No. 318 Yuan Shan Road, Shanghai, China • Tel: 86-21-51761234 Fax: 86-21-64424098