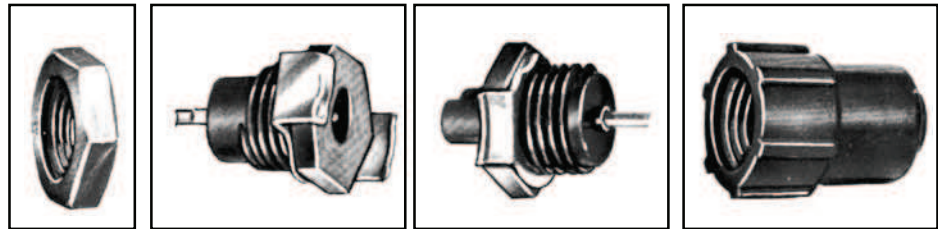


Rack & Panel

PM1 Series

High Voltage, Single Contact / #20 Contacts / .040" Dia. / 7.5 Amps



N
Nylon Nut

PM1SLR
Plug with lock ring

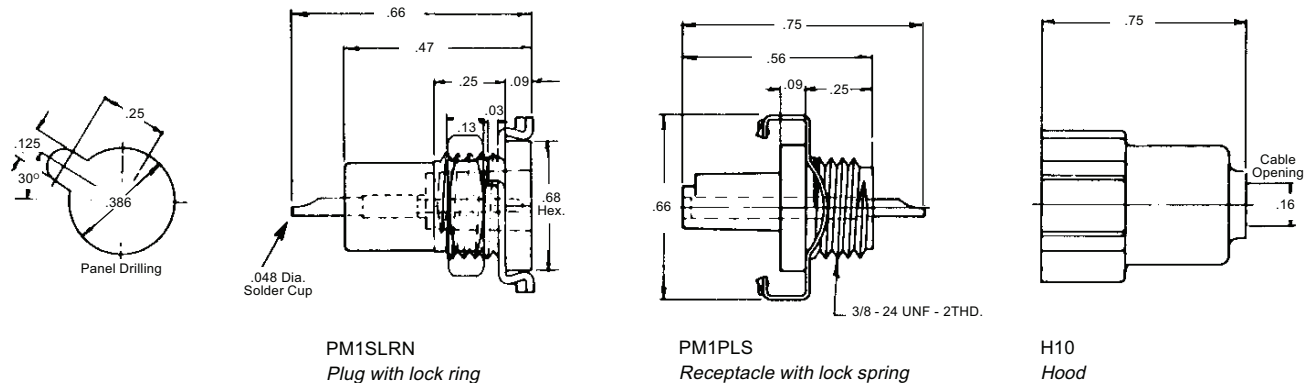
PM1PLS
Receptacle with lock spring

H10
Hood

This connector was developed for applications requiring moderately high voltage ratings, this single contact connector is particularly well adapted to Photo-Flash, Aircraft, Instrumentation and Communications Equipment.

OUTLINE

Dimensions are for reference only and are subject to change. Outline drawings on request.



PM1SLRN
Plug with lock ring

PM1PLS
Receptacle with lock spring

H10
Hood

SPECIFICATIONS

Current Rating: 7.5 amps

No. of Contacts: 1

Pin Contacts: .040 dia. brass, gold plated

Socket

Contacts: Phosphor bronze, gold plated

Terminations: .048 solder cup will accept up to #20 AWG stranded wire.

Electrical Data: Dielectric withstanding voltage is one minute electrification at 5650 VAC.

Dielectric: Molded Diallyl phthalate per MIL-M-14, type SDG-F. Color Gray.

Polarization: Permits one engaging position only and prevents rotation of the plug and

receptacle with respect to each other.

Mounting: Cable or panel mounted. Use nylon nut applied to either plug or receptacle.

Lock Ring (and lock spring): Applied to plug or receptacle. Prevents connector rotation on panel and when engaged with lock spring, prevents accidental disconnection due to vibration, etc.

Hood: Diallyl Phthalate cable hood

Weight in Ounces: Receptacle .05, Plug .05, Washer .005, Hood .07, Lock Ring .017, Lock Spring .019, Nut .015

ORDERING INFORMATION

PM1PLR- Connector, plug with lock ring
PM1SLS- Connector, receptacle with lock spring
PM1PLS- Connector, plug with lock spring
PM1SLR- Connector, receptacle with lock ring
PM1P- Connector, plug without vibration lock
PM1S- Connector, receptacle without vibration lock

*Add **H10-** to above numbers when ordering hoods
 *Add **H10C-** to above numbers for hood with cable clamp
 Add **N-** to above numbers when ordering nylon nut

* When ordering hoods separately specify P/N **H10T34** or **H10CT34**

Winchester

62 Barnes Industrial Road North, Wallingford, Connecticut 06492 Phone:(203)741-5400 Fax:(203)741-5500 www.winchesterelectronics.com