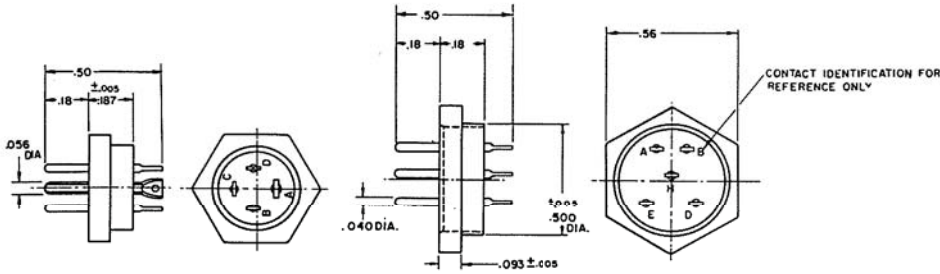


SERIES HC-20 hexagonal hermetic plug

4, 5, 7, 9, 10 CONTACTS



HC4 - 20P PLUG

HC5 - 20P PLUG



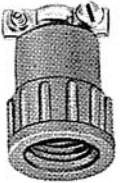
HC7 - 20P

HC9 - 20P

HC10 - 20P

OUTLINES VIEWED FROM WIRING SIDE

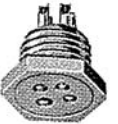
C4/HC
HOOD WITH
CABLE CLAMP



(VS)
VIBRATION
SPRING



C4 - 20S
RECEPTACLE



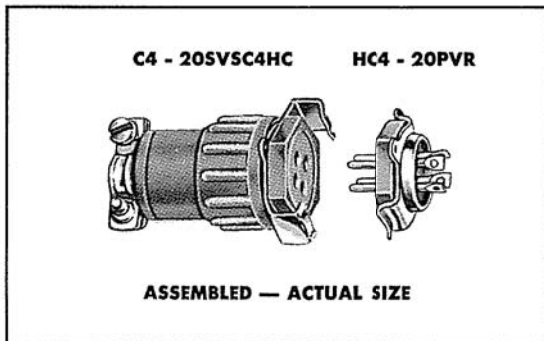
HC4 - 20P
PLUG



(VR)
VIBRATION RING



ACTUAL SIZE



C4 - 20SV5C4HC

HC4 - 20PVR

ASSEMBLED — ACTUAL SIZE

Constructed with solid glass insert insulation and recommended for use in pressurized or other sealed electronic equipment. This design meets the requirements of atmospheric pressure conditions at high altitude. Contacts are compression sealed in glass with no metal between to disrupt the electrical creepage path. Body plate for mounting is precision machined from high grade steel. Entire plug is plated to withstand a 50-hour salt spray test. Positive polarization with one way contact arrangement makes it impossible to engage the connector incorrectly. Plugs mate with Series C-20 molded receptacles (see pages 33 and 34).