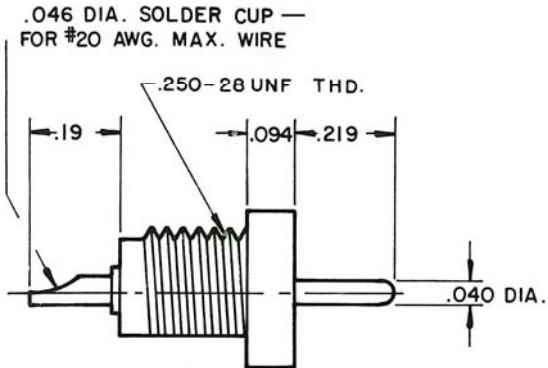
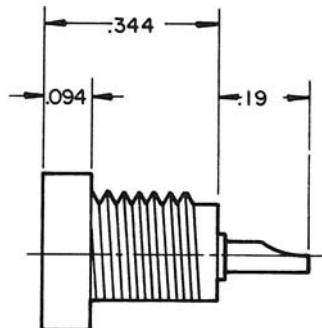


# SERIES FHL-1

## round single contact



FHL - 1P PLUG



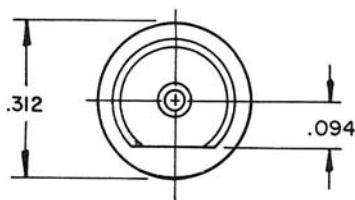
FHL - 1S SOCKET



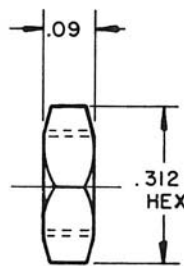
FHL - 1P FHL - 1S

ACTUAL SIZE

FHL-1 miniature round connector provides an easy means for passing a single lead through a rack and panel arrangement, or it may be applied as a feed-thru disconnect. Extremely rugged with high dielectric characteristics.



REAR VIEW



N/NUT

### ELECTRICAL AND MECHANICAL RATINGS

Voltage Ratings:	Breakdown	Recommended
Pin to Ground		Test
At Sea Level	4800V. RMS	3200V. RMS
At 70,000 Ft.	1000V. RMS	650V. RMS
Current Rating:		
5 Amps. Continuous		7.5 Amps. Max.
Minimum Creepage Between Contact and Ground		.156"
Minimum Air Space Between Contact and Ground		.156"
Contact, Center to Ground		.156"
Solder Cup		#20 AWG Wire