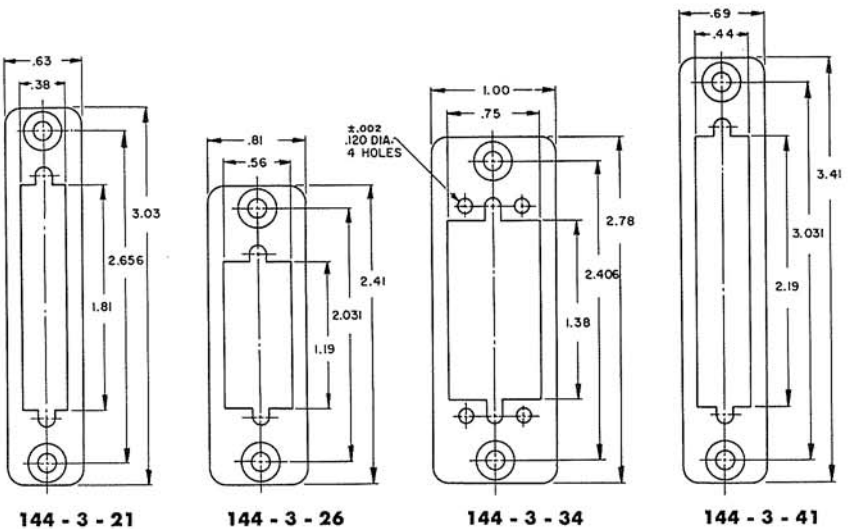
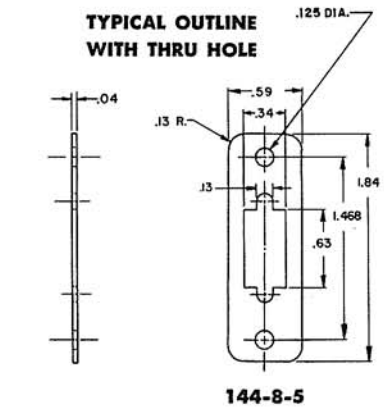
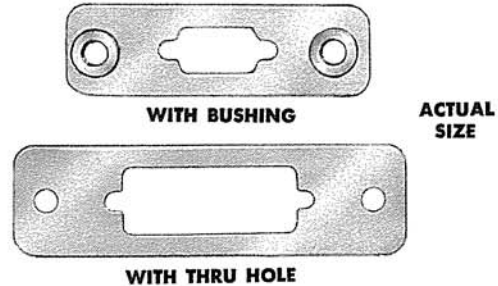
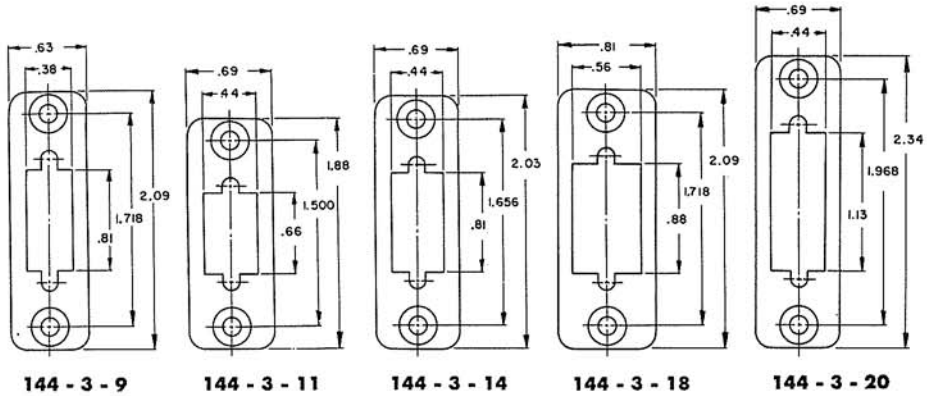


SERIES 20 mounting plates

WITH FLOATING BUSHING*



Material is corrosion resistant steel, passivated. Last digits in part number indicate quantity of contacts in connector.
*Also available with through hole only without bushing, basic part number 144-8.

