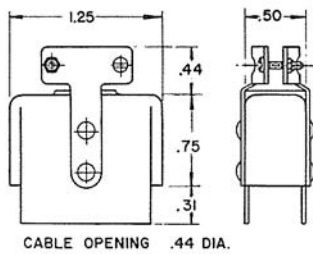


SERIES 145-100

aluminum

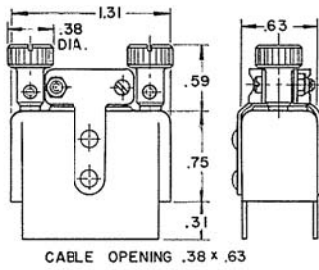
hoods

RIVETED CABLE CLAMPS



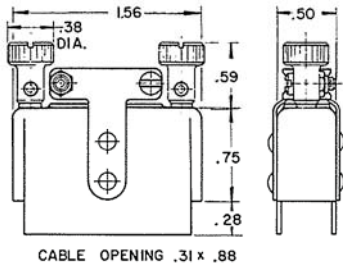
CABLE OPENING .44 DIA.

FIG. 1 USED ON
145 - 100P - 2
145 - 100S - 21



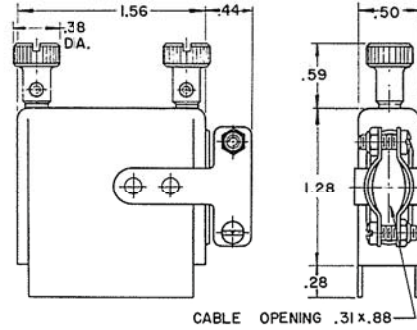
CABLE OPENING .38 x .63

FIG. 2 USED ON
145 - 100P - 5
145 - 100S - 4



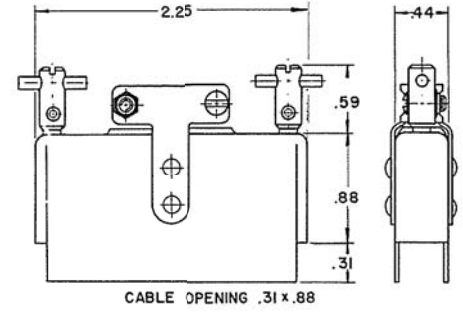
CABLE OPENING .31 x .88

FIG. 3 USED ON
145 - 100P - 8
145 - 100S - 7



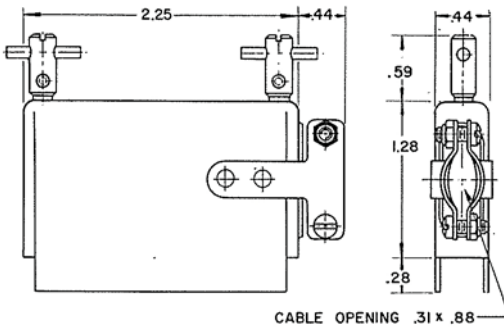
CABLE OPENING .31 x .88

FIG. 4 USED ON
145 - 100P - 20



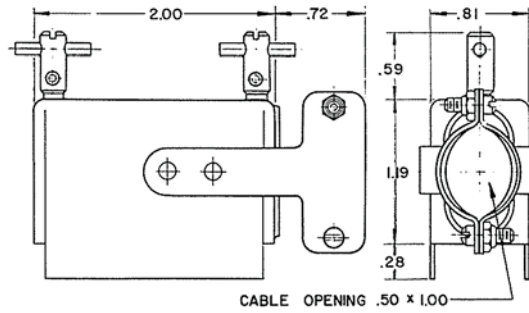
CABLE OPENING .31 x .88

FIG. 5 USED ON
145 - 100S - 8



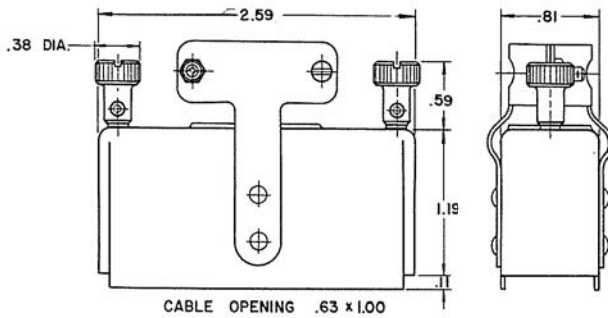
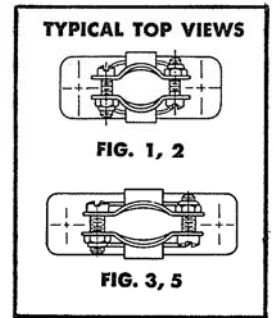
CABLE OPENING .31 x .88

FIG. 6 USED ON
145 - 100S - 9



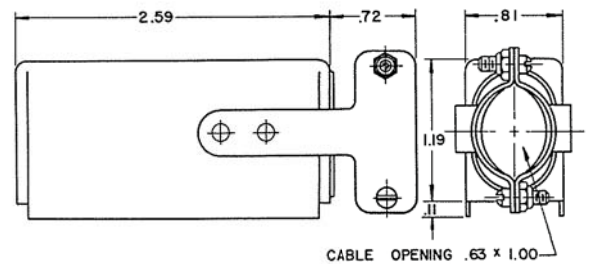
CABLE OPENING .50 x 1.00

FIG. 7 USED ON
145 - 100S - 10



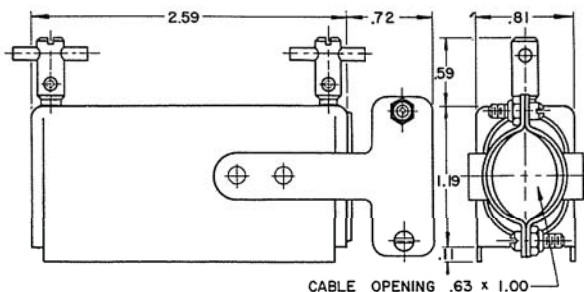
CABLE OPENING .63 x 1.00

FIG. 8 USED ON
145 - 100P - 12
145 - 100S - 11



CABLE OPENING .63 x 1.00

FIG. 9 USED ON
145 - 100P - 11



CABLE OPENING .63 x 1.00

FIG. 10 USED ON
145 - 100S - 12

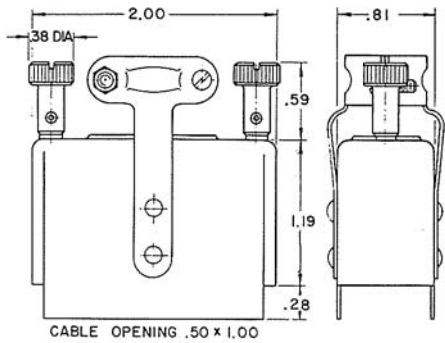


FIG. 19 USED ON
145 - 100S - 20

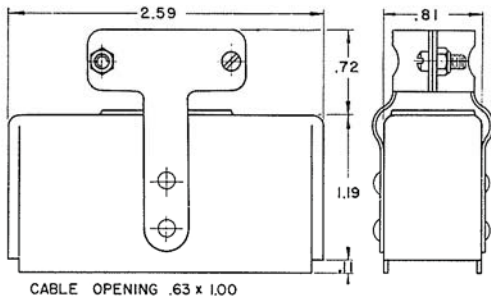


FIG. 20 USED ON
145 - 100P - 23

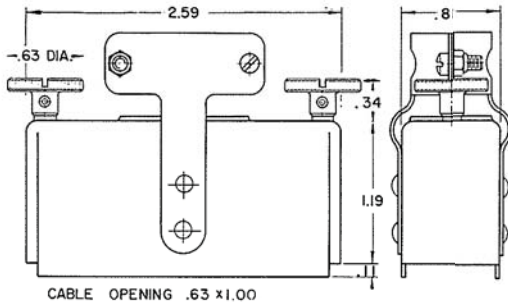


FIG. 21 USED ON
145 - 100S - 24

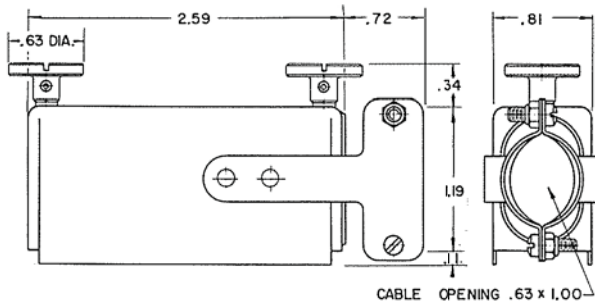


FIG. 22 USED ON
145 - 100S - 25

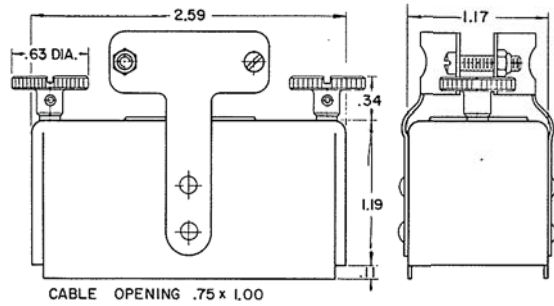


FIG. 23 USED ON
145 - 100P - 25
145 - 100S - 26

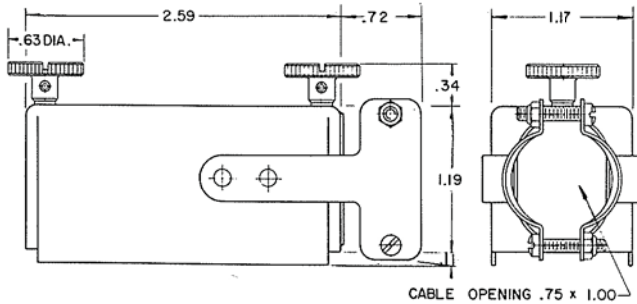


FIG. 24 USED ON
145 - 100S - 27

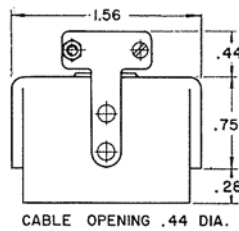


FIG. 25 USED ON
145 - 100P - 26
145 - 100S - 29

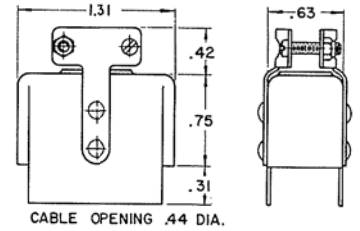


FIG. 26 USED ON
145 - 100P - 28
145 - 100S - 31

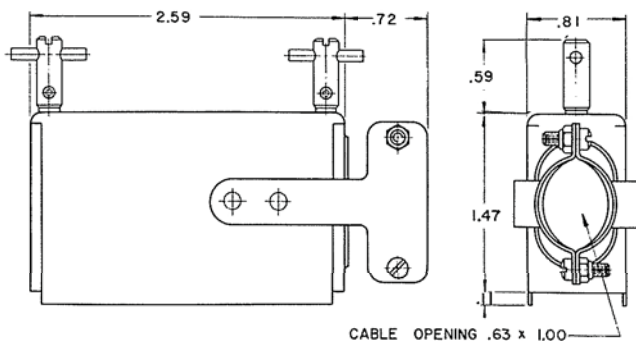


FIG. 27 USED ON
145 - 100S - 28



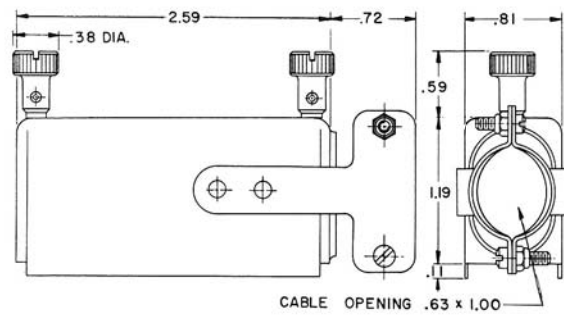


FIG. 11 USED ON
145 - 100P - 13
145 - 100S - 13

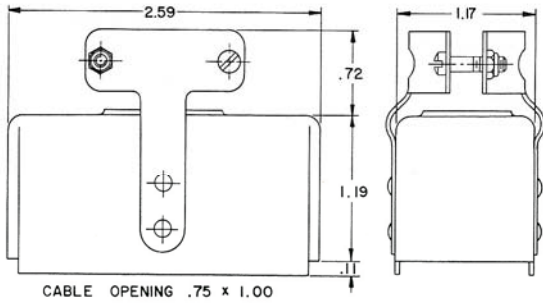


FIG. 12 USED ON
145 - 100P - 24
145 - 100S - 15

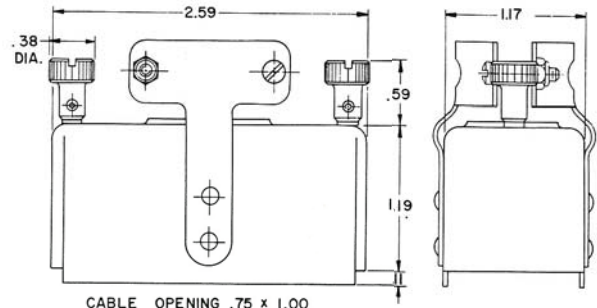


FIG. 13 USED ON
145 - 100P - 18
145 - 100S - 18

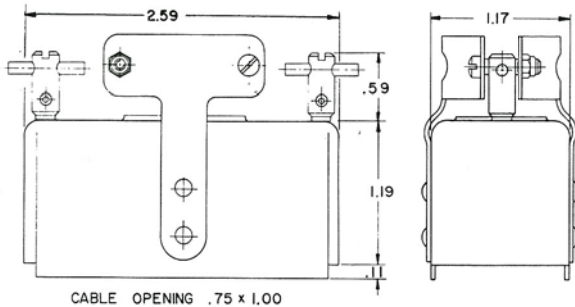


FIG. 14 USED ON
145 - 100P - 17
145 - 100S - 16

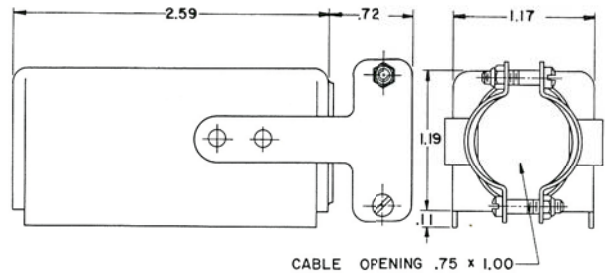


FIG. 15 USED ON
145 - 100P - 16

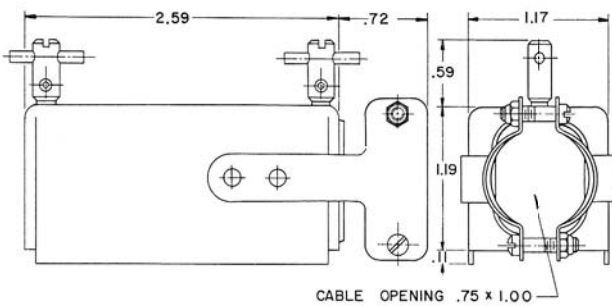


FIG. 16 USED ON
145 - 100S - 17

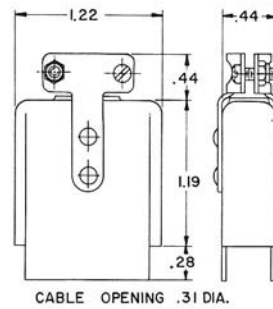


FIG. 17 USED ON
145 - 100P - 21
145 - 100S - 22

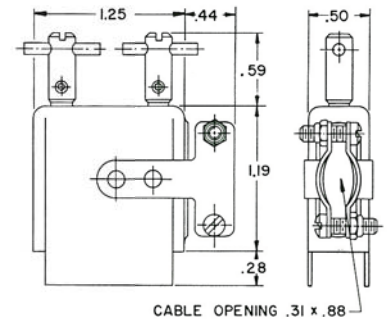


FIG. 18 USED ON
145 - 100S - 23

